

2



1

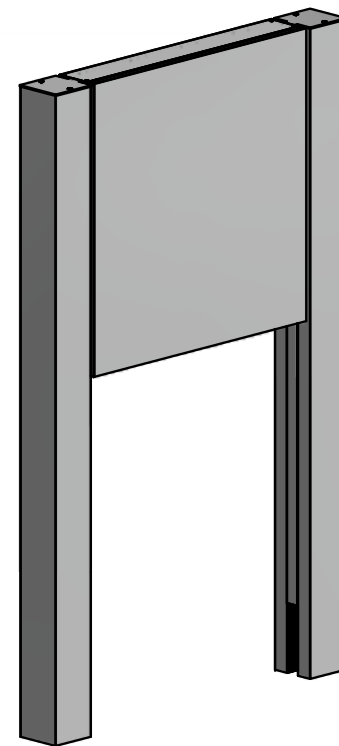
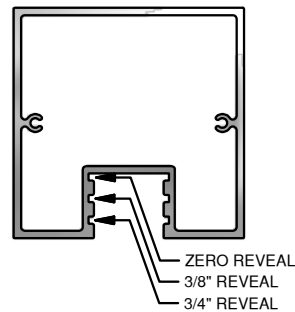
PARTS LIST

ITEM	PART #	DESCRIPTION	NOTES
1	K1391/93	Series 4 SF Access Body / Frameless Cover	Assembly
2	1200	Series 2/3/4 Reveal	Attaches to the Body
3	K1333	Series 4 Square Post	Assembly
4	5433	Series 4 Square Post Cap	3/4" Reveal Tab
41	5040	Cap Screw	#10 countersink

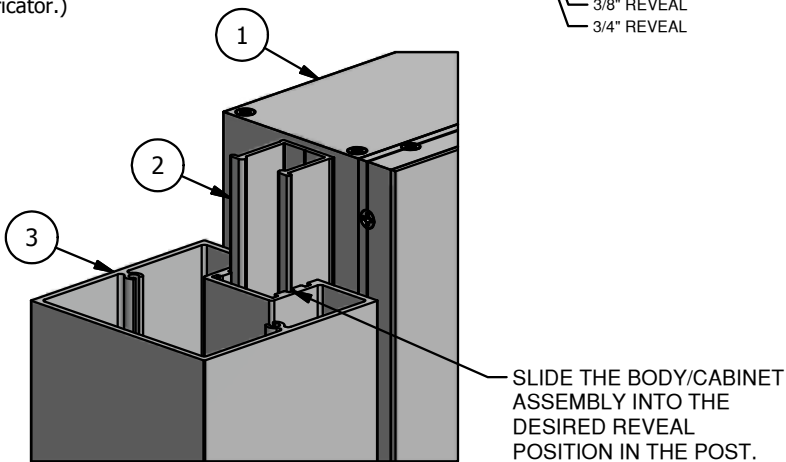
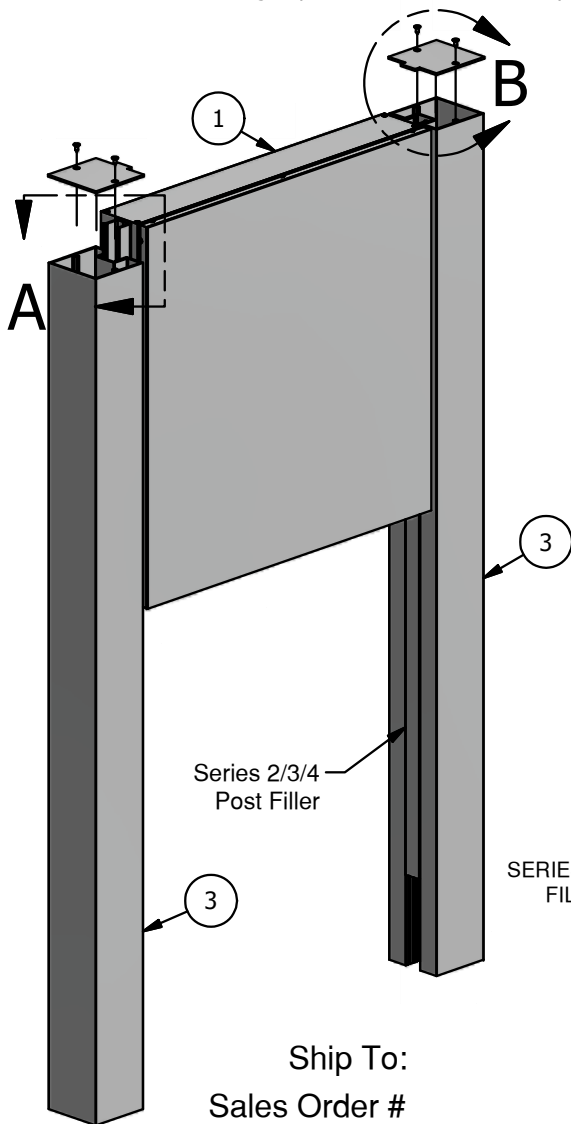
NOTE: PRE-CUT KITS ARE NOT PRE-DRILLED.

(Holes shown in this drawing are for reference only. Drilling of pilot holes are to be done by fabricator.)

REVEAL SETTING OPTIONS



B

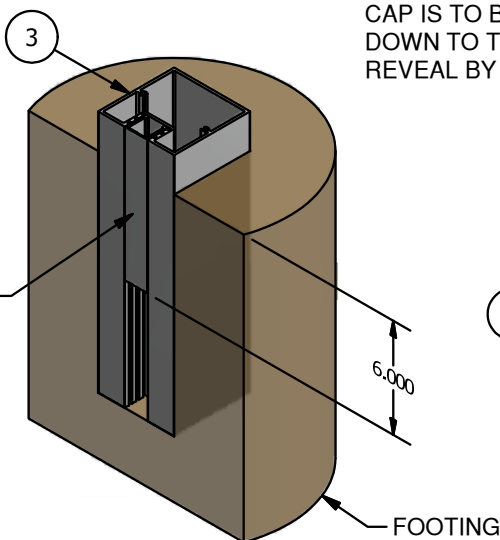


DETAIL A

SLIDE THE BODY/CABINET ASSEMBLY INTO THE DESIRED REVEAL POSITION IN THE POST.

NOTE: THE TAB ON THE CAP IS TO BE SHEERED DOWN TO THE DESIRED REVEAL BY FABRICATOR.

SERIES 2/3/4 REVEAL/POST FILLER IS CUT TO FIT 6" BELOW THE GRADE.



DETAIL B

Ship To:
Sales Order #

2



1

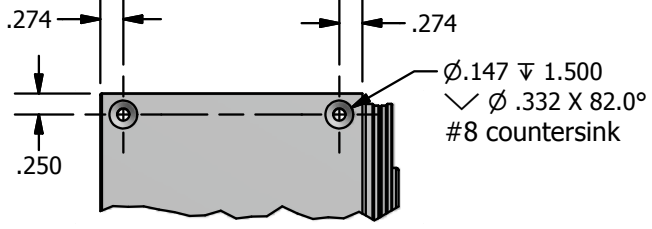
THIS DRAWING WAS CREATED AT NO CHARGE TO ASSIST YOU IN VISUALIZING OUR PROPOSAL. THE DRAWING HEREIN IS THE PROPERTY OF SIGNCOMP. PERMISSION TO COPY OR REVISE THIS DRAWING OR TO USE THIS DRAWING FOR PRODUCTION IS STRICTLY PROHIBITED AND CAN ONLY BE COPIED, REVISED OR USED FOR PRODUCTION WITH THE EXPRESSED WRITTEN PERMISSION OF SIGNCOMP.

Project Name: **Series 4 SF Access Body - Frameless Cvr - Series 4 Sq Post - Ass.** Sheet: 1 of 1 Size: A
 Sign Company: **K1391/93/33** Drawing By: **SBreihof** Date: 10/26/2017 Revision:

B



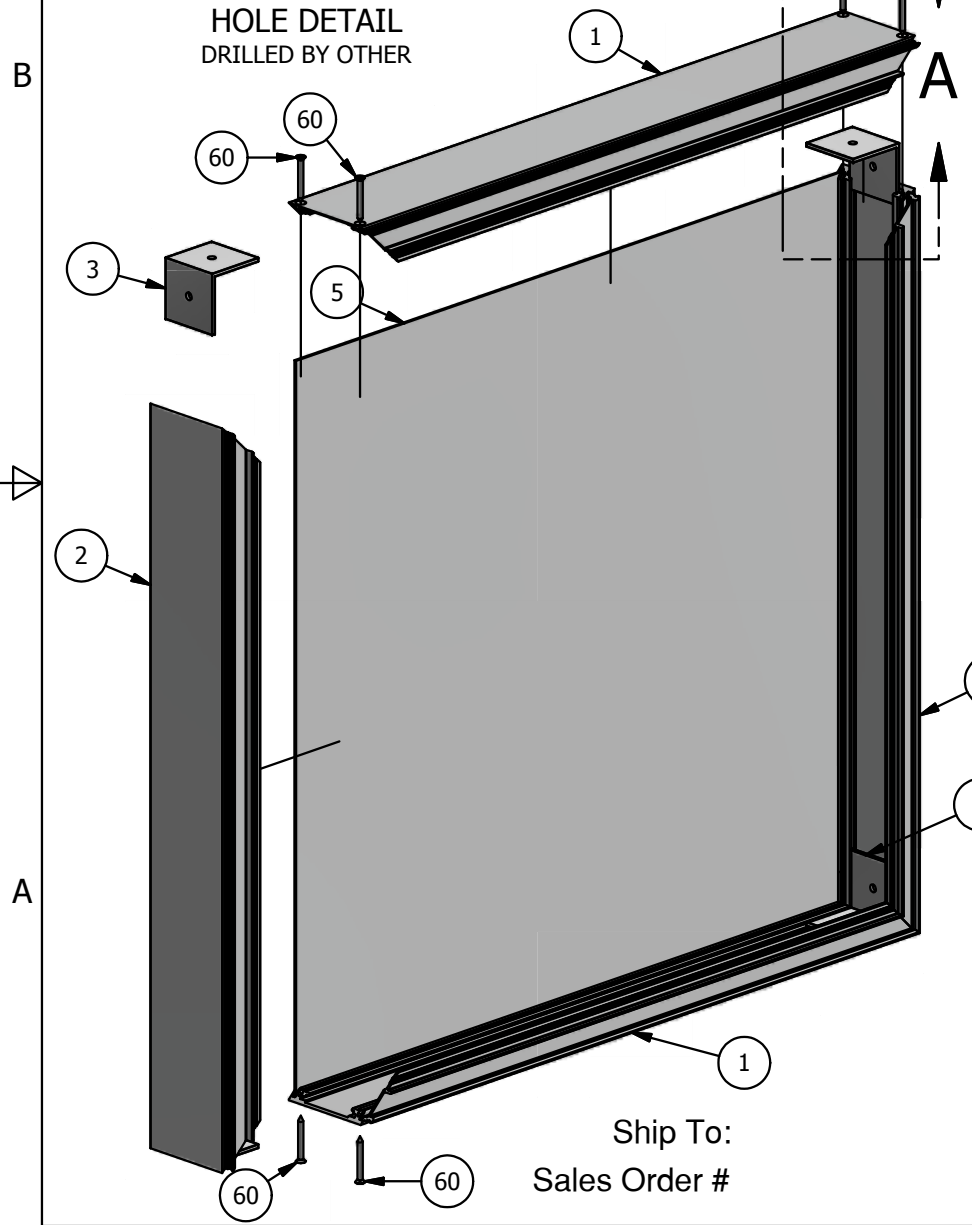
A



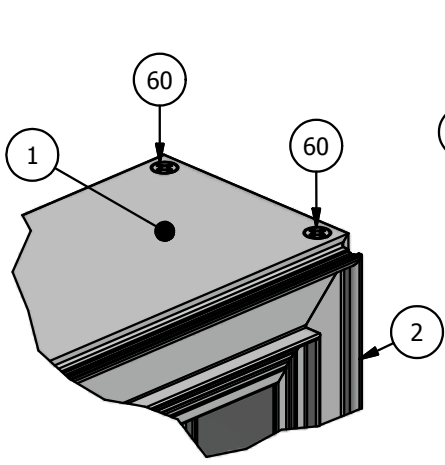
HOLE DETAIL
DRILLED BY OTHER

PARTS LIST			
ITEM	PART #	DESCRIPTION	NOTES
1	1391	Series 4 Single Face Access Body	Top & Bottom
2	1391	Series 4 Single Face Access Body	Sides
3	5340	Series 4 Access Body Corner Angle	One (1) per body corner
5		.063 Aluminum Back	By Other
60	5270	Access Body Corner Screw	See hole detail

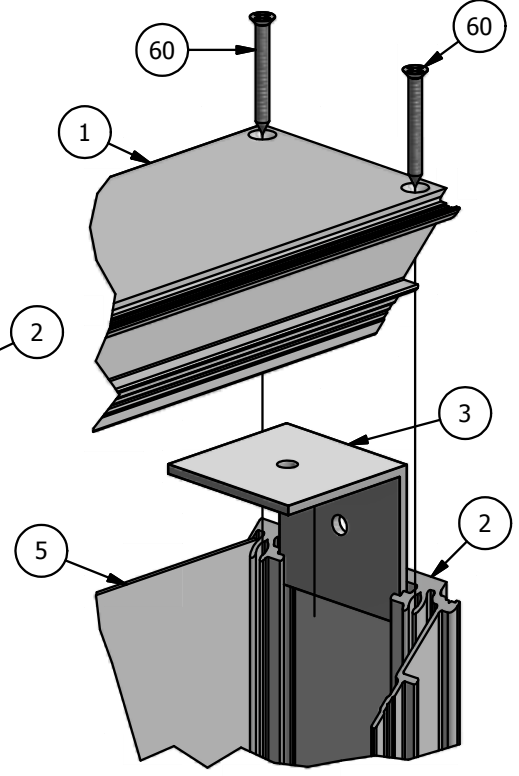
NOTE: PRE-CUT KITS ARE NOT PRE-DRILLED.
 (Holes shown in this drawing are for reference only.
 Drilling of pilot holes are to be done by fabricator.)



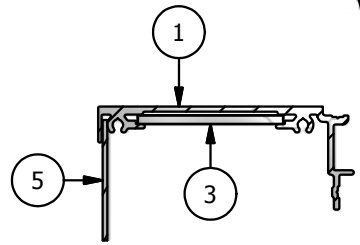
Ship To:
Sales Order #



DETAIL A-2



DETAIL A-1



CABINET SECTION-VIEW

THIS DRAWING WAS CREATED AT NO CHARGE TO ASSIST YOU IN VISUALIZING OUR PROPOSAL. THE DRAWING HEREIN IS THE PROPERTY OF SIGNCOMP. PERMISSION TO COPY OR REVISE THIS DRAWING OR TO USE THIS DRAWING FOR PRODUCTION IS STRICTLY PROHIBITED AND CAN ONLY BE COPIED, REVISED OR USED FOR PRODUCTION WITH THE EXPRESSED WRITTEN PERMISSION OF SIGNCOMP.

Project Name: **Series 4 Single Face Access Body**

Sign Company: **K1391**

Part #: _____

Revision: _____

Date: **3/22/2017**

Sheet: **1 of 1**

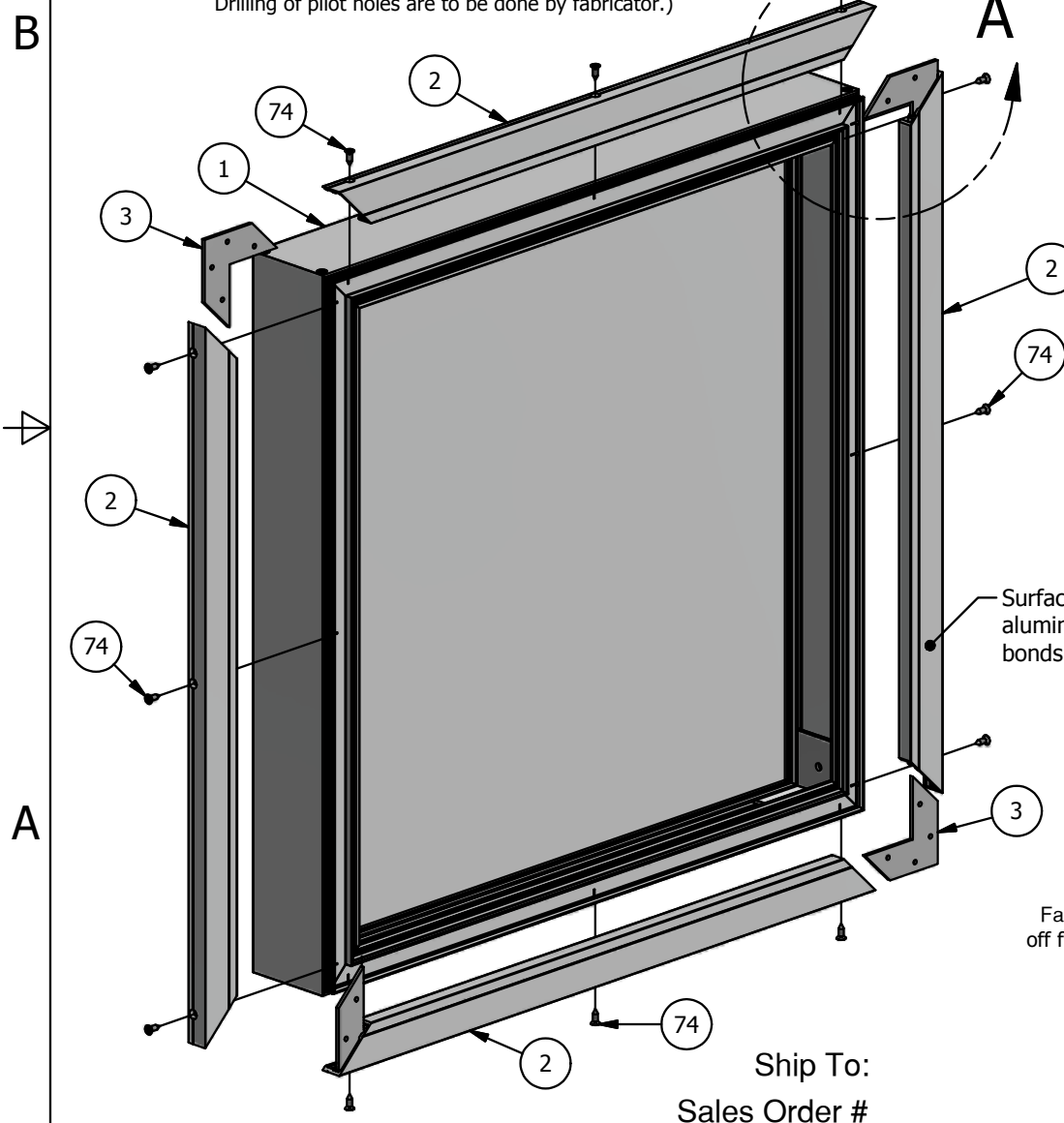
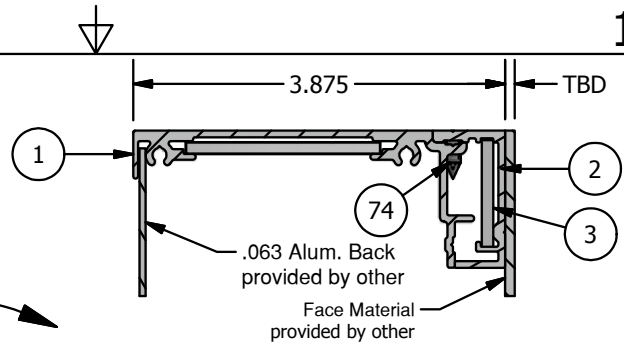
Size: **A**

Drawing By: **SBreihof**

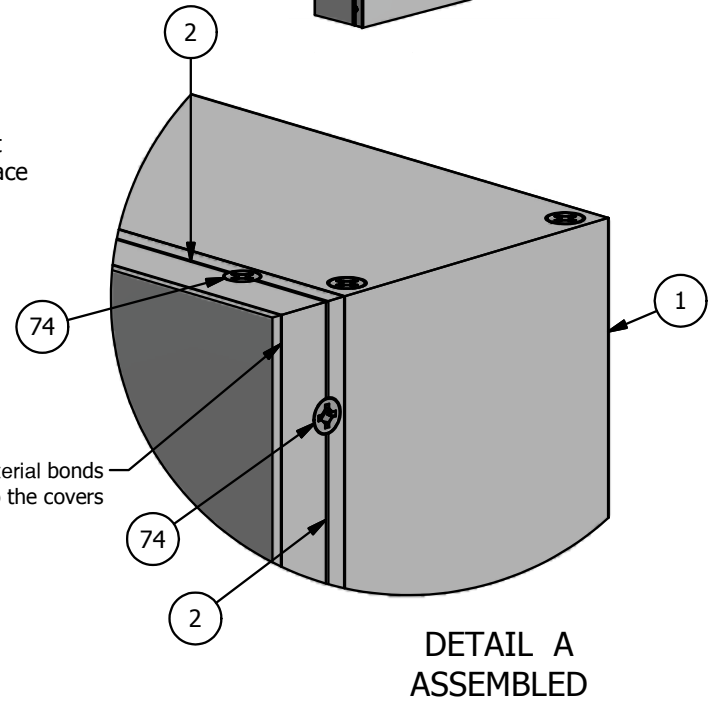
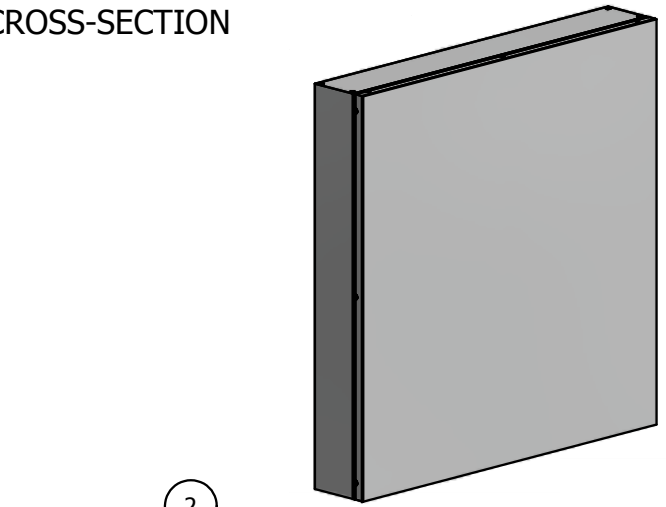


PARTS LIST			
ITEM	PART #	DESCRIPTION	NOTES
1	K1391	Series 4 SF Access Body	Assembly
2	1693	Frameless Cover	All Sides
3	5210	Corner Key	One (1) per corner
74	5168	Frameless Cover Screw	Drill #8 countersink

NOTE: PRE-CUT KITS ARE NOT PRE-DRILLED.
 (Holes shown in this drawing are for reference only.
 Drilling of pilot holes are to be done by fabricator.)



Ship To:
Sales Order #



THIS DRAWING WAS CREATED AT NO CHARGE TO ASSIST YOU IN VISUALIZING OUR PROPOSAL. THE DRAWING HEREIN IS THE PROPERTY OF SIGNCOMP. PERMISSION TO COPY OR REVISE THIS DRAWING OR TO USE THIS DRAWING FOR PRODUCTION IS STRICTLY PROHIBITED AND CAN ONLY BE COPIED, REVISED OR USED FOR PRODUCTION WITH THE EXPRESSED WRITTEN PERMISSION OF SIGNCOMP.

Project Name:	Series 4 SF Access Body w/ Frameless Cover - Assembly	Sheet:	1 of 1	Size:	A
Sign Company:	K1391/93	Revision:		Drawing By:	SBreihof
		Date:	5/9/2017		

SignComp

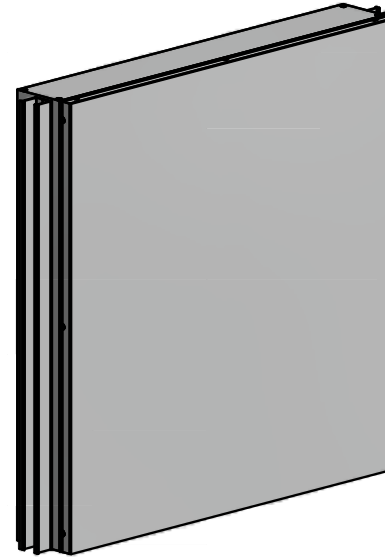
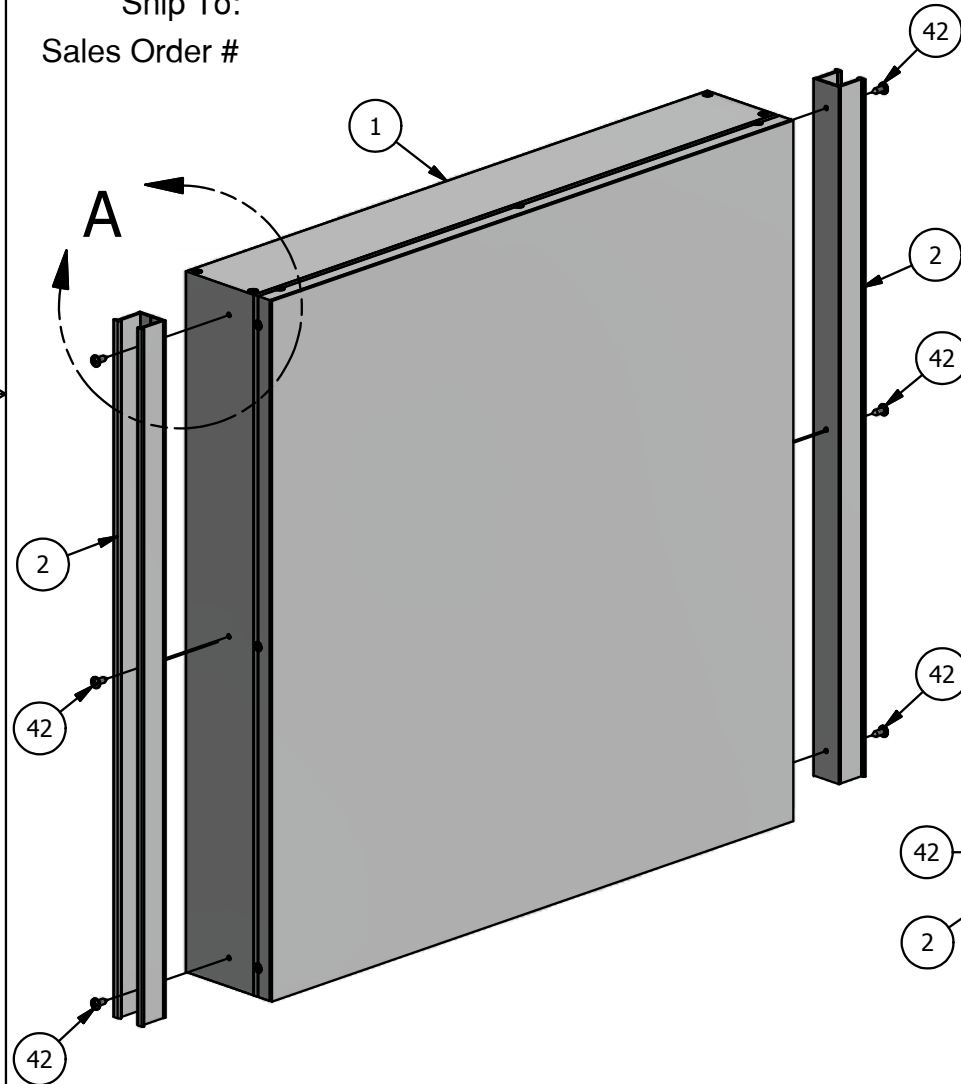
PARTS LIST

ITEM	PART#	DESCRIPTION	NOTES
1	K1391/93	Series 4 SF Access Body / Frameless Cover	Assembly
2	1200	Series 2/3/4 Reveal	
42	5218	Reveal to Body Screw	Drill 5/32" pilot hole

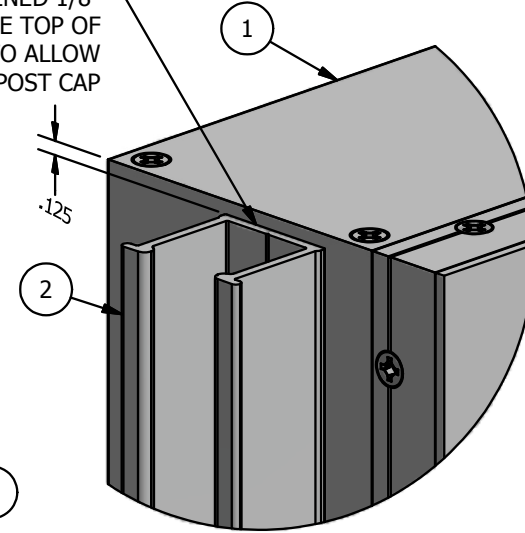
NOTE: PRE-CUT KITS ARE NOT PRE-DRILLED.

(Holes shown in this drawing are for reference only.
Drilling of pilot holes are to be done by fabricator.)

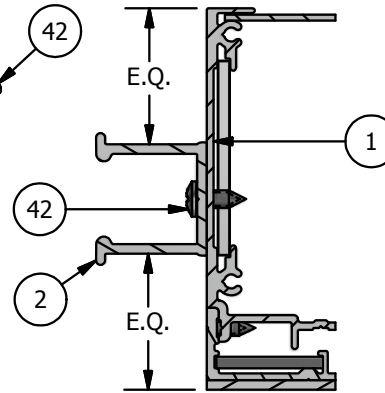
Ship To:
Sales Order #



REVEAL IS FASTENED 1/8"
DOWN FROM THE TOP OF
THE CABINET TO ALLOW
FOR THE POST CAP



**DETAIL A
ASSEMBLED**



VERTICAL SECTION VIEW

THIS DRAWING WAS CREATED AT NO CHARGE TO ASSIST YOU IN VISUALIZING OUR PROPOSAL. THE DRAWING HEREIN IS THE PROPERTY OF SIGNCOMP. PERMISSION TO COPY OR REVISE THIS DRAWING OR TO USE THIS DRAWING FOR PRODUCTION IS STRICTLY PROHIBITED AND CAN ONLY BE COPIED, REVISED OR USED FOR PRODUCTION WITH THE EXPRESSED WRITTEN PERMISSION OF SIGNCOMP.

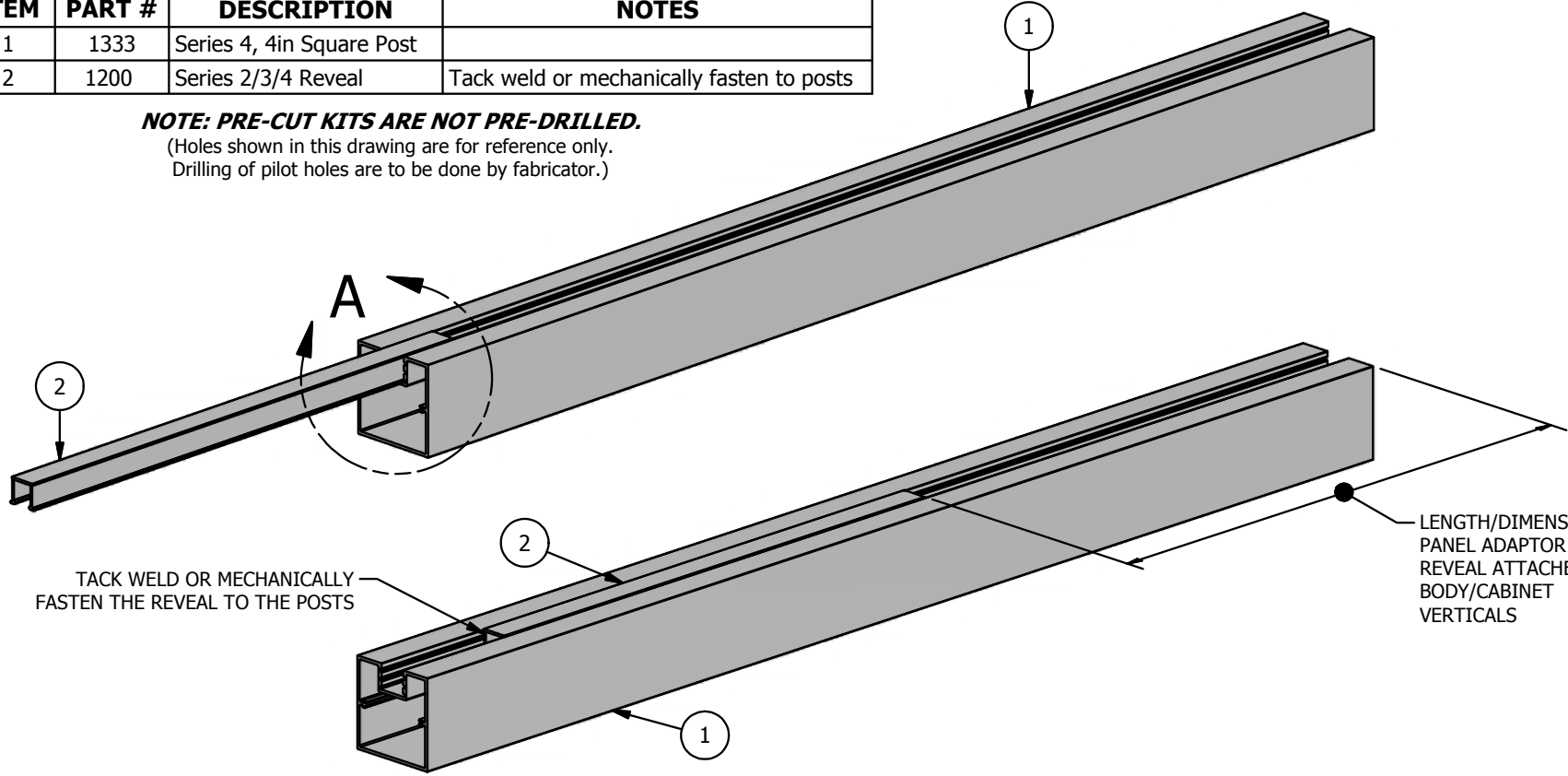
Project Name:	Series 4 SF Access Body w/ Frameless Cvr - Series 2/3/4 Reveal - Ass.1 of 1
Sign Company:	K1391/93 - Reveal
Part #:	
Revision:	
Date:	10/24/2017
Drawing By:	SBreihof
Size:	A

SignComp

PARTS LIST

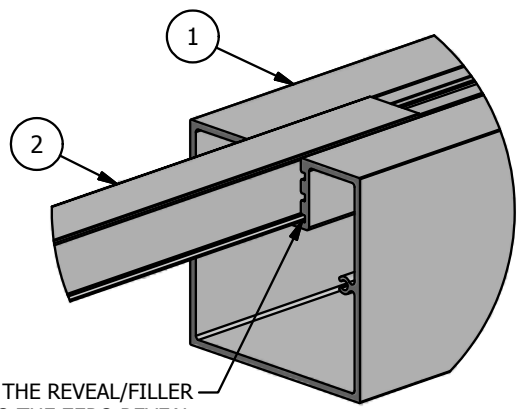
ITEM	PART #	DESCRIPTION	NOTES
1	1333	Series 4, 4in Square Post	
2	1200	Series 2/3/4 Reveal	Tack weld or mechanically fasten to posts

NOTE: PRE-CUT KITS ARE NOT PRE-DRILLED.
 (Holes shown in this drawing are for reference only.
 Drilling of pilot holes are to be done by fabricator.)



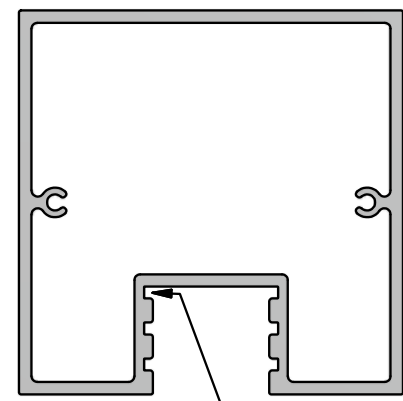
TACK WELD OR MECHANICALLY FASTEN THE REVEAL TO THE POSTS

LENGTH/DIMENSION OF PANEL ADAPTOR OR REVEAL ATTACHED TO BODY/CABINET VERTICALS



DETAIL A

INSERT THE REVEAL/FILLER INTO THE ZERO REVEAL POSITION, THEN SLIDE IT INTO THE POST



ZERO REVEAL

Ship To:
Sales Order #

THIS DRAWING WAS CREATED AT NO CHARGE TO ASSIST YOU IN VISUALIZING OUR PROPOSAL. THE DRAWING HEREIN IS THE PROPERTY OF SIGNCOMP. PERMISSION TO COPY OR REVISE THIS DRAWING OR TO USE THIS DRAWING FOR PRODUCTION IS STRICTLY PROHIBITED AND CAN ONLY BE COPIED, REVISED OR USED FOR PRODUCTION WITH THE EXPRESSED WRITTEN PERMISSION OF SIGNCOMP.

Project Name: Series 4, 4" Square Post - Series 2/3/4 Reveal - Assembly	Revision:	Sheet: 1 of 1	Size: A
	Part #:	Date: 4/18/2017	Drawing By: SBreihof
Sign Company: 1333-00			

